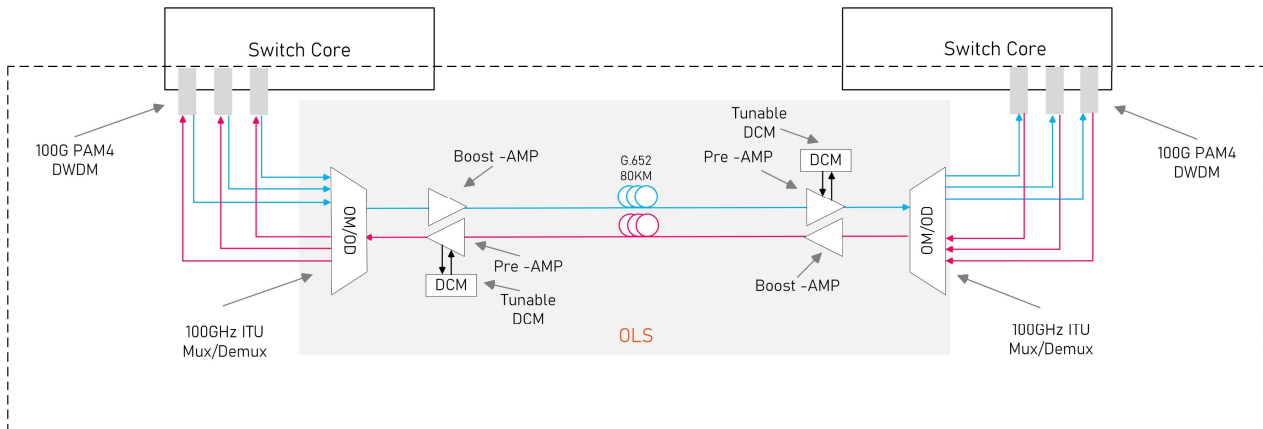


FR8000-PAM4-ZR

Intelligent optical line system designed specifically for DCI

FR8000-PAM4-ZR is a cloud base optical line DWDM platform designed specifically for Data Center Interconnection. It redefines Intelligentized , High-Capacity ,Zero-Latency, also Cost-effective DCI application. FR8000-PAM4-ZR family provide 0-80km with optionally 8/16/40CH solution, dedicated For either 100G DWDM PAM4 traffic or for applications with any mix of PAM4 , NRZ and Coherent channels .



Technical Specifications

Recommended Solution

Data Center Interconnection
 Metro Edge Interconnection
 Dark Fiber Connectivity

Supported Protocols

1/10/40/100G/200G/400G Ethernet
 1/2/4/8/16/32 Fiber Channel
 Other protocols may be supported

Mechanical Attributes

Power suppliers : Dual AC100 to 220V
 DC-4 to -72V
 Redundancy and Hot swappable
 Fan unit: Hot swappable
 Power Consumption(220V) : 45W(TYP)
 60W(MAX)

Size:430(D)x365(W)x1RU mm
 Net Weight:4.6kg

Environmental

Operating temp:0°C to + 50°C
 Humidity: 5% to 95%
 Altitude: 0-10,000ft

Optical Specification

Fiber Distance : 1-80km
 Fiber Link Loss : To be discussed
 Fiber Types : G.652(SMF-28)
 Operation wavelength : D21-D60

Management

Interfaces : 4xRJ45 10/100M Base-T
 2xSFP for OSC
 1xRS-232 series port
 Protocol : SSH/CLI, SNMP,EMS/NMS,
 NTP,TFTP,MQTT

Ordering information

FR8000-PAM4-ZR-040	40CH(D21-D60) DWDM OLS,40-80km, with dual power supply and NMC
FR8000-PAM4-LITE-040	40CH(D21-D60) DWDM OLS, 0-40km, with dual power supply and NMC
100G-PAM4-ZR-Dxx	100G DWDM PAM4 QSFP28 , Dxx (Channel Number)